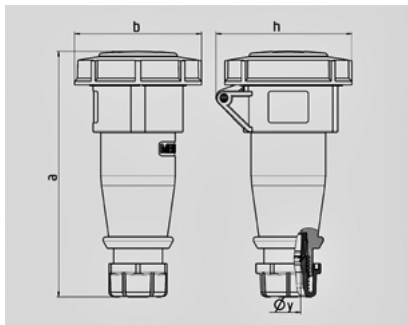


Connector - Part no. 1031


- screw terminals
- single part body
- cable gland and sealing
- strain relief and protection against kinking

Technical information

Ampere	32 A
Poles	3 p
Voltage	Isolating transformer
Earth position	12 h
Connection technology	Screwless - TwinCONTACT
Contact	standard
Protection type	IP 67



Drawing 3 MB 62	Amp. Poles	16			32		
		3	4	5	3	4	5
Dim. in mm	a	146	166	172	212	212	213
	b	72	79	89	96	96	102
	h	80	88	95	98	98	105
	y	14,5	16	16	22	22	22
Terminal for cond. cross		1	1	1	2,5	2,5	2,5
section (mm²) min.-max.		—2,5	—2,5	—2,5	—6	—6	—6