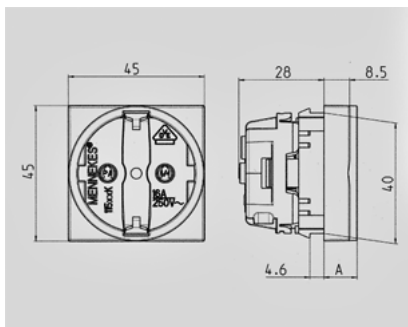


Snap-in receptacle SCHUKO® - Part no. 11510K


- without hinged lid
- with 3 plug-in terminals for connection of 1.5 – 2.5 mm²
- for easy installation in a cable duct or an enclosure
- for fixing on DIN rail with fixing rack 11254

Technical information

Ampere	16 A
Poles	2 p+E
Voltage	230V
Shutter	no
Connection technology	Plug-in terminals
Contact	standard



Drawing 1 MB 457 Drawing in mm	Dim. A
SCHUKO	11.0
French/Belgian standards	8.5
Danish standards	8.5