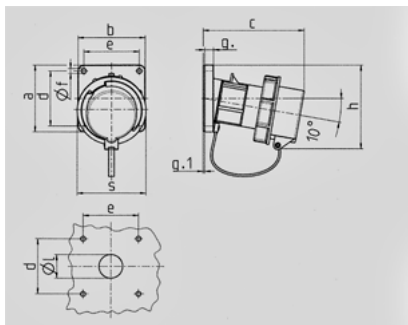


Panel mounted inlet - Part no. 1257


- screw terminals
- with protective cover

Technical information

Ampere	63 A
Poles	4 p
Voltage	500V
Earth position	7 h
Hertz	50-60 Hz
Connection technology	Screw terminals
Contact	standard
Protection type	IP 67



Drawing 2 MB 62	Amp.	16		32			63		
		Poles		3	4	5	3	4	5
Dim. in mm	a	85	85	85	85	85	108	108	108
	b	85	85	85	85	85	101	101	101
	c	132	132	131	131	137	164	164	164
	d	70	70	70	70	70	85	85	85
	e	70	70	70	70	70	77	77	77
	f	6.3	6.3	6.3	6.3	6.3	6.5	6.5	6.5
	g.	11	11	11	11	11	12	12	12
	g.1	2	2	2	2	2	2	2	2
	h	100	107	108	108	111	130	130	130
	s	70	87	94	94	102	114	114	114
	l	30	30	30	30	30	40	40	40
	Terminal for cond. cross section (mm ²) min.-max.	1	1	2,5	2,5	2,5	6	6	6
		-2.5	-2.5	-6	-6	-6	-16	-16	-16