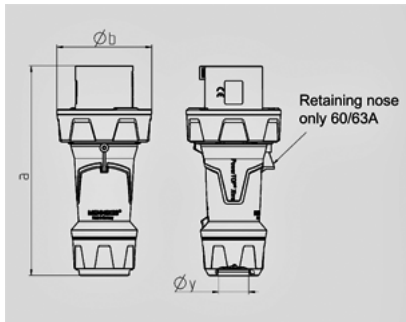


**Plug PowerTOP® Xtra - Part no. 13208**


- screw terminals
- rubberised grip area
- frame terminals
- highly heat resistant contact carrier
- nickel plated contacts
- cable gland and sealing
- strain relief and protection against kinking
- enclosure with thread lock
- two safety slides

**Technical information**

|                       |   |
|-----------------------|---|
| Ampere                | 63 A  |
| Poles                 | 4 p   |
| Voltage               | >50-500V  |
| Earth position        | 10 h  |
| Hertz                 | 100-300 Hz  |
| Connection technology | Screw terminals   |
| Contact               | nickel plated contacts, highly heat resistant contact carrier |
| Protection type       | IP 67   |



| Drawing<br>2 MB 225      | Amp.<br>Poles | 63  |     |     | 125 |     |     |
|--------------------------|---------------|-----|-----|-----|-----|-----|-----|
|                          |               | 3   | 4   | 5   | 3   | 4   | 5   |
| Dim. in mm               | a             | 250 | 250 | 250 | 290 | 290 | 290 |
|                          | b             | 114 | 114 | 114 | 130 | 130 | 130 |
|                          | y             | 36  | 36  | 36  | 49  | 49  | 49  |
| Terminal for cond. cross |               | 6   | 6   | 6   | 25  | 25  | 25  |
| section (mm²) min.-max.  |               | -16 | -16 | -16 | -50 | -50 | -50 |