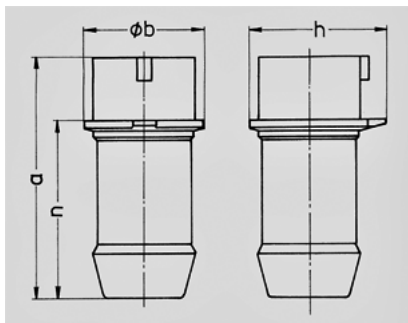


Phase sequence test plug - Part no. 1436

- to VDE 0413, part 7, DIN-EN 61557-7



| Technical information | |
|-----------------------|-----------------|
| Ampere | 63 A |
| Poles | 4 p |
| Voltage | 400V |
| Earth position | 6 h |
| Hertz | 50-60 Hz |
| Connection technology | Screw terminals |
| Contact | standard |
| Protection type | IP 44 |



| Drawing 2 MB 140 Dim. in mm | Amp. Poles | 16 | | 32 | | 63 | |
|-----------------------------------|---------------|-----|-----|-----|-----|-----|-----|
| | | 4 | 5 | 4 | 5 | 4 | 5 |
| a | | 126 | 129 | 145 | 145 | 211 | 211 |
| b | | 60 | 65 | 66 | 74 | 100 | 100 |
| h | | 62 | 69 | 71 | 80 | 100 | 100 |
| n | | 90 | 93 | 99 | 99 | 145 | 145 |