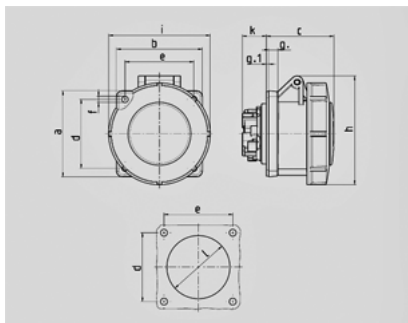


**Panel mounted receptacle with TwinCONTACT - Part no. 1713**


- screwless spring terminals
- suitable for through wiring
- straight
- blanking flange to close unused apertures part no. 41419

## Technical information

|                       |                         |
|-----------------------|-------------------------|
| Ampere                | 16 A                    |
| Poles                 | 4 p                     |
| Voltage               | 500V                    |
| Earth position        | 7 h                     |
| Hertz                 | 50-60 Hz                |
| Connection technology | Screwless - TwinCONTACT |
| Contact               | standard                |
| Protection type       | IP 67                   |



| Drawing<br>1 MB 467 | Amp.<br>Poles   | 16  |     |     | 32  |     |     |
|---------------------|---|-----|-----|-----|-----|-----|-----|
|                     |   | 3   | 4   | 5   | 3   | 4   | 5   |
| Dim. in mm          | a   | 75  | 75  | 75  | 85  | 85  | 85  |
|                     | b   | 75  | 75  | 75  | 75  | 75  | 75  |
|                     | c   | 60  | 61  | 61  | 69  | 69  | 72  |
|                     | d   | 60  | 60  | 60  | 60  | 60  | 60  |
|                     | e   | 60  | 60  | 60  | 60  | 60  | 60  |
|                     | f   | 5,5 | 5,5 | 5,5 | 5,5 | 5,5 | 5,5 |
|                     | g.  | 8   | 8   | 8   | 8   | 8   | 8   |
|                     | g.1   | 2   | 2   | 2   | 2   | 2   | 2   |
|                     | h   | 83  | 88  | 95  | 99  | 99  | 105 |
|                     | i   | 78  | 85  | 96  | 103 | 103 | 110 |
|                     | k   | 21  | 21  | 21  | 28  | 28  | 38  |
|                     | l   | 43  | 52  | 54  | 60  | 60  | 65  |
|                     | Terminal for cond. cross section (mm <sup>2</sup> ) min.-max. | 1,5 | 1,5 | 1,5 | 2,5 | 2,5 | 2,5 |
|                     |   | -4  | -4  | -4  | -6  | -6  | -6  |