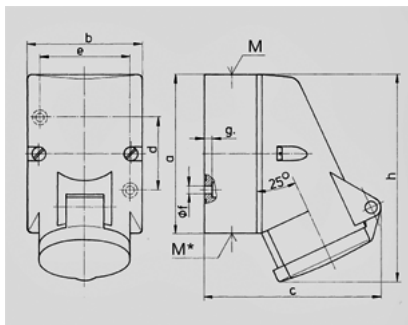


Receptacle - Part no. 2152


- screw terminals
- internal fixing
- one cable entry at top and one blind cable entry (can be cut out) at bottom

Technical information

Ampere	16 A
Poles	3 p
Voltage	>50-250 V
Hertz	(DC) Hz
Earth position	3 h
Connection technology	Screw terminals
Contact	standard
Protection type	IP 44



Drawing	Amp.	16
1 MB 369	Poles	3
Dim. in mm	a	87
	b	64
	c	99
	d	40
	e	50
	f	4,5
	g.	4
	h	115
	M	20
	M*	20 (blind) to be cut out
Max. cable diam. (mm)		15
Terminal for cond. cross section (mm²) min.-max.		1,5 —4