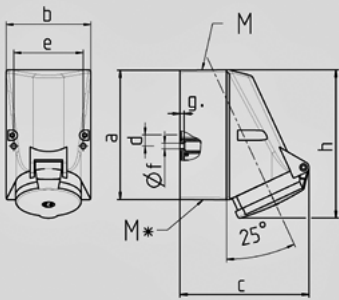


**Receptacle - Part no. 22356**


- highly heat resistant contact carrier
- nickel plated contacts
- internal fixing
- one cable entry at top and two blind cable entries (can be cut out) at bottom
- enclosure base can be turned 180°
- 63A is not standardized

**Technical information**

Ampere	63 A
Poles	3 p
Voltage	20-25, 40-50 V
Hertz	100-200 Hz
Earth position	4 h
Connection technology	Screw terminals
Contact	nickel plated contacts, highly heat resistant contact carrier
Protection type	IP 44



Drawing 1 MB 43	Amp. Poles	63	
		2	3
Dim. in mm	a	128	128
	b	84	84
	c	136	136
	d	11	11
	e	68	68
	f	5,3	5,3
	g.	4	4
	h	158	158
	M	32	32
	M*	2x25 (blind) to be cut out	
	Max. cable diam. (mm)	18/25	18/25
	Terminal for cond. cross section (mm²) min.-max.	2,5	2,5
		-10	-10