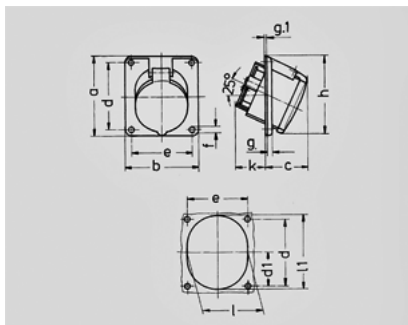


Panel mounted receptacle - Part no. 23764


- screw terminals
- system 2 (63A is not standardized)
- highly heat resistant contact carrier
- nickel plated contacts
- 25° inclination

Technical information	
Ampere	63 A
Poles	2 p
Voltage	40-50 V
Hertz	50-60 Hz
Earth position	12 h
Connection technology	Screw terminals
Contact	nickel plated contacts, highly heat resistant contact carrier
Protection type	IP 44



Drawing 1 MB 238	Amp. Poles	63	
		2	3
Dim. in mm	a	100	100
	b	92	92
	c	50	50
	d	85	85
	d1	41	41
	e	77	77
	f	5,1	5,1
	g	6	6
	h	102	102
	k	58	58
	l	80	80
	l1	80	80
Terminal for cond. cross section (mm²) min.-max.		4	4
		-10	-10