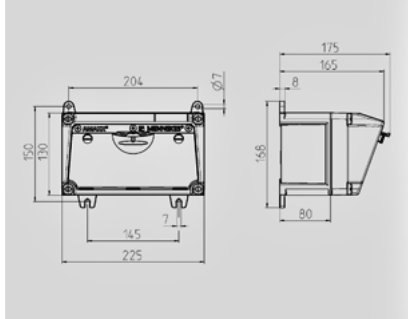


**Network enclosure AMAXX® - Part no. 25104GE**


- network enclosure made of AMAPLAST
- protection class IP 44
- top part electric grey RAL 7035 or yellow RAL 1021, bottom part black with screw-in nuts for installation of a floor-mounted base
- including a height-adjustable mounting rail
- cable gland set with multiple seal

**Technical information**

Fitted with	1 Cepex data port socket prepared for 2 RJ45 connection module couplings, type E-DAT module, port, cat.6, brand: BTR (part no. 41455) or OpDAT module LC or ST (brand BTR - not delivery contains)
Connection/feeder cable	each x M 25 top and bottom (sealed) each x M 20 top and bottom (sealed) cable gland M 25 bottom (multiple seal with 3 openings for a cable diameter of 5-7 mm including suitable blanking plugs, 1 cap-shape seal blank for punched hole)
Enclosure size	130 x 225 mm (H x W)
Protection type	IP 44


**Drawing 1 MB 531**

Depth dimensions at various fittings.

Receptacles	Degrees	Depth
SCHUKO®16A, 230 V	IP 44	175 mm
	IP 67	194 mm
CEE 16A, 3p, 230V	IP 44	204 mm
	IP 67	205 mm
CEE 16A, 5p, 400V	IP 44	209 mm
	IP 67	213 mm
CEE 32A, 5p, 400V	IP 44	221 mm
	IP 67	227 mm
CEE 63A, 5p, 400V	IP 44	248 mm
	IP 67	248 mm

Cable entries: closed for cut out. 2 x M 25 each on top and bottom, 2 x M 20 each on top and bottom for cut out.