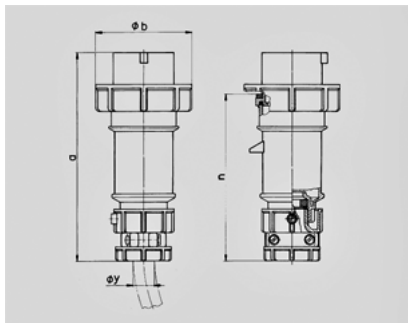


Plug PowerTOP® - Part no. 3839

- screw terminals
- highly heat resistant contact carrier
- nickel plated contacts
- cable gland and external cable grip



Technical information	
Ampere	32 A
Poles	4 p
Voltage	110V
Earth position	4 h
Hertz	50-60 Hz
Connection technology	Screw terminals
Contact	nickel plated contacts, highly heat resistant contact carrier
Protection type	IP 67



Drawing 2 MB 171	Amp. Poles	16			32		
		3	4	5	3	4	5
Dim. in mm	a	162	172	186	199	199	213
	b	71	79	89	95	95	102
	n	129	139	152	157	157	172
	y	19	19	22	24,5	24,5	28,5
	Terminal for cond. cross	1	1	1	2,5	2,5	2,5
	section (mm ²) min.-max.	-2,5	-2,5	-2,5	-6	-6	-6