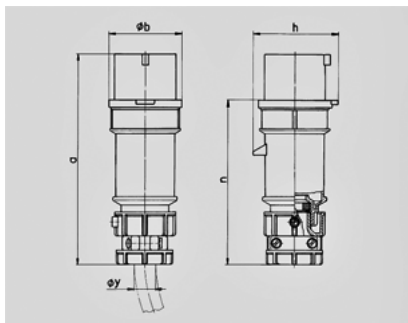


**Plug PowerTOP® - Part no. 3936**

- screw terminals
- highly heat resistant contact carrier
- nickel plated contacts
- cable gland and external cable grip



Technical information	
Ampere	16 A
Poles	5 p
Voltage	230V
Earth position	9 h
Hertz	50-60 Hz
Connection technology	Screw terminals
Contact	nickel plated contacts, highly heat resistant contact carrier
Protection type	IP 44



Drawing 2 MB 174	Amp. Poles	16			32		
		3	4	5	3	4	5
Dim. in mm	a	162	172	186	199	199	213
	b	54	60	69	72	72	79
	h	60	67	77	83	83	91
	n	126	136	149	154	154	169
	y	19	19	22	24,5	24,5	28,5
	Terminal for cond. cross	1	1	1	2,5	2,5	2,5
	section (mm²) min.-max.	—2,5	—2,5	—2,5	—6	—6	—6