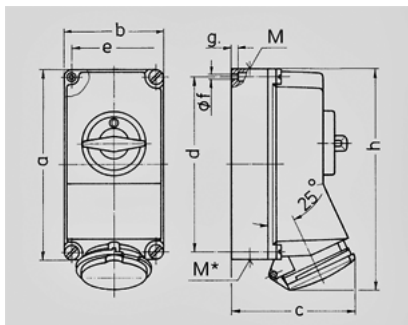


Wall mounted receptacle - Part no. 5460A


- screw terminals
- switched
- mechanical DUO-interlock
- receptacles can be padlocked

Technical information

| | |
|-----------------------|-----------------|
| Ampere | 32 A |
| Poles | 4 p |
| Voltage | 110V |
| Earth position | 4 h |
| Hertz | 50-60 Hz |
| Connection technology | Screw terminals |
| Contact | standard |
| Protection type | IP 44 |



| Drawing 1 MB 174 | Amp. Poles | 16 | | | 32 | | |
|---------------------|--|---------------|------|------|---------------|------|------|
| | | 3 | 4 | 5 | 3 | 4 | 5 |
| Dim. in mm | a | 225 | 225 | 225 | 225 | 225 | 225 |
| | b | 118 | 118 | 118 | 118 | 118 | 118 |
| | c | 141 | 141 | 141 | 146 | 146 | 146 |
| | d | 208 | 208 | 208 | 208 | 208 | 208 |
| | e | 101 | 101 | 101 | 101 | 101 | 101 |
| | f | 6,3 | 6,3 | 6,3 | 6,3 | 6,3 | 6,3 |
| | g | 8 | 8 | 8 | 8 | 8 | 8 |
| | h | 250 | 252 | 254 | 264 | 264 | 264 |
| | M | 1x25 and 1x32 | | | 1x25 and 1x32 | | |
| | M* | 2x25 | 2x25 | 2x25 | 2x25 | 2x25 | 2x25 |
| | Max. cable diam. (mm) | 25 | 25 | 25 | 25 | 25 | 25 |
| | Terminal for cond. cross section (mm²) min.-max. | 1,5 | 1,5 | 1,5 | 2,5 | 2,5 | 2,5 |
| | | -4 | -4 | -4 | -10 | -10 | -10 |