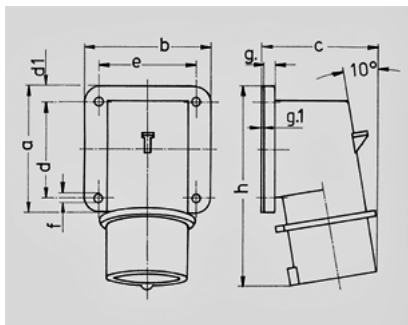


Panel mounted inlet - Part no. 749


- screw terminals
- highly heat resistant contact carrier
- nickel plated contacts

Technical information

Ampere	16 A
Poles	7 p
Voltage	230V
Earth position	9 h
Hertz	50-60 Hz
Connection technology	Screw terminals
Contact	nickel plated contacts, highly heat resistant contact carrier
Protection type	IP 44



Drawing	Amp.	16	32
2 MB 71	Poles	7	7
Dim. in mm	a	85	75
	b	85	90
	c	79	90
	d	64	45
	d1	10	13
	e	64	78
	f	5,5	5,5
	g.	6	6
	g.1	2	2
	h	129	138
Terminal for cond. cross section (mm²) min.-max.		1 -2,5	2,5 -6