

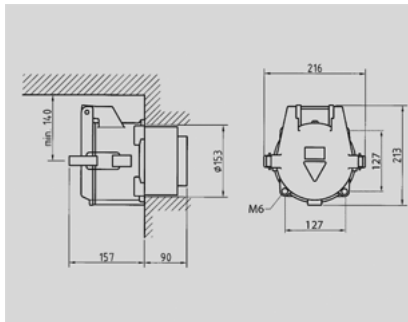
**Panel mounted receptacle - Part no. 75046**

- screw terminals
- seawater resistant products are available on request



## Technical information

Ampere	400 A
Poles	4 p
Voltage	400V
Earth position	6 h
Hertz	50-60 Hz
Connection technology	Screw terminals
Contact	standard
Protection type	IP 67

Drawing  
1 MB 388/1

Dim. in mm