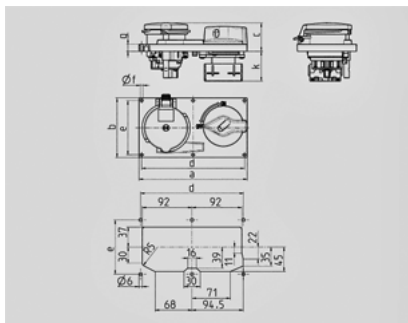


Panel mounted receptacle - Part no. 7511


- screw terminals
- for horizontal installation
- switched
- mechanical DUO-interlock
- receptacles can be padlocked

Technical information

| | |
|-----------------------|-----------------|
| Ampere | 32 A |
| Poles | 3 p |
| Voltage | 110V |
| Earth position | 4 h |
| Hertz | 50-60 Hz |
| Connection technology | Screw terminals |
| Contact | standard |
| Protection type | IP 44 |



| Drawing 5 MB 59 | Amp. Poles | 16 | | | 32 | | |
|--------------------|---------------|-----|-----|-----|-----|-----|-----|
| | | 3 | 4 | 5 | 3 | 4 | 5 |
| Dim. in mm | a | 200 | 200 | 200 | 200 | 200 | 200 |
| | b | 110 | 110 | 110 | 110 | 110 | 110 |
| | c | 46 | 49 | 46 | 56 | 56 | 53 |
| | d | 190 | 190 | 190 | 190 | 190 | 190 |
| | e | 100 | 100 | 100 | 100 | 100 | 100 |
| | f | 5 | 5 | 5 | 5 | 5 | 5 |
| | g | 13 | 13 | 13 | 13 | 13 | 13 |
| | k max. | 56 | 56 | 56 | 56 | 56 | 56 |