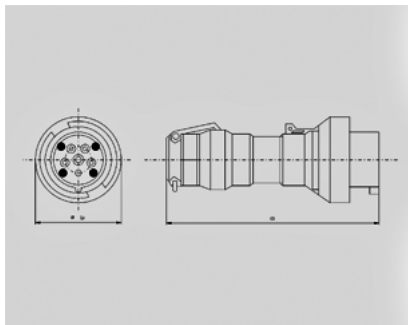


**Plug - Part no. 7716**


- screw terminals
- identification acc. to 94/9/EG: II 3D Ex tD A22 T80°C
- dust ignition protection type provided: Ex de IIC T6
- enclosure: impact resistant polyamide
- permissible ambient temperature: -25°C to +45°C

**Technical information**

Ampere	16 A
Poles	4 p
Voltage	400V
Earth position	6 h
Hertz	50-60 Hz
Connection technology	Screw terminals
Contact	standard



Drawing D22516-7	Amp. Poles	16			32	
		3	4	5	4	5
Dim. in mm	a	175	192	192	249	249
	b	72	76,5	84	95	100
Max. cable diam. (mm)		8-19	12-21	12-21	17-28	17-28
Terminal for cond. cross section (mm <sup>2</sup> ) min.-max.		1	1	1	1	1
		-2,5	-2,5	-2,5	-6	-6