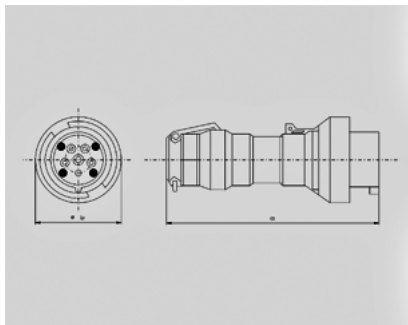


Plug - Part no. 7766


- screw terminals
- identification acc. to 94/9/EG: II 3D Ex tD A22 T80°C
- dust ignition protection type provided: Ex de IIC T6
- enclosure: impact resistant polyamide
- permissible ambient temperature: -25°C to +45°C

Technical information

| | |
|-----------------------|-----------------|
| Ampere | 63 A |
| Poles | 5 p |
| Voltage | 400V |
| Earth position | 6 h |
| Hertz | 50-60 Hz |
| Connection technology | Screw terminals |
| Contact | standard |



| Drawing D22518-9 | Amp. Poles | 63 | | 125 | |
|---|---------------|-------|-------|-------|-------|
| | | 4 | 5 | 4 | 5 |
| Dim. in mm | a | 272 | 272 | 320 | 320 |
| | b | 110 | 110 | 120 | 120 |
| Max. cable diam. (mm) | | 19-34 | 19-34 | 31-55 | 31-55 |
| Terminal for cond. cross section (mm ²) min.-max. | | 4 | 4 | 4 | 4 |
| | | -16 | -16 | -35 | -35 |