

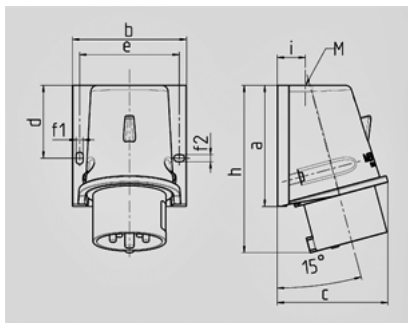
Wall mounted inlet - Part no. 802



- screw terminals
- for external fixing
- for hinged lids for retrofitting see accessories

Technical information

Ampere	32 A
Poles	3 p
Voltage	230V
Earth position	6 h
Hertz	50-60 Hz
Connection technology	Screw terminals
Contact	standard
Protection type	IP 44



Drawing 2 MB 221	Amp. Poles	16		32		
		4	5	3	4	5
Dim. in mm	a	92.5	92.5	102	102	102
	b	87	87	94	94	94
	c	84.5	84.5	94	94	94
	d	55.5	55.5	62	62	62
	e	76	76	84	84	84
	f1	5.3	5.3	5.3	5.3	5.3
	f2	5.3	5.3	5.3	5.3	5.3
	h	128	128	146	146	146
	i	21,5	21,5	26	26	26
	M	25x1.5	25x1.5	25x1.5	25x1.5	32x1.5