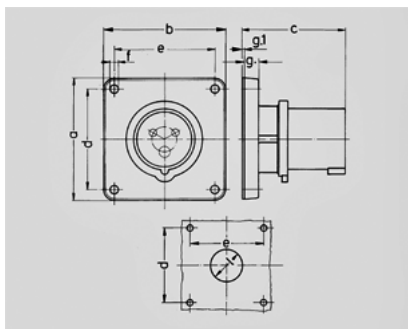


**Panel mounted inlet - Part no. 816**

- screw terminals
- nickel-plated contacts
- a retaining nose to hold the hinged lid of the connector must be provided by the customer in order to ensure satisfactory locking

Technical information	
Ampere	32 A
Poles	3 p
Voltage	110V
Earth position	4 h
Hertz	50-60 Hz
Connection technology	Screw terminals
Contact	standard
Protection type	IP 44



Drawing	Amp.	16			32		
		Poles			Poles		
2 MB 173/2		3	4	5	3	4	5
Dim. in mm	a	85,7	85,7	85,7	85,7	85,7	85,7
	b	85,7	85,7	85,7	85,7	85,7	85,7
	c	72	72	72	90	90	90
	d	69,5	69,5	69,5	69,5	69,5	69,5
	e	69,5	69,5	69,5	69,5	69,5	69,5
	f	5,5	5,5	5,5	5,5	5,5	5,5
	g.	11	11	11	11	11	11
	g.1	2	2	2	2	2	2
	l	32	36	36	47	47	47
Terminal for cond. cross		1,5	1,5	1,5	2,5	2,5	2,5
section (mm <sup>2</sup> ) min.-max.		-4	-4	-4	-10	-10	-10