

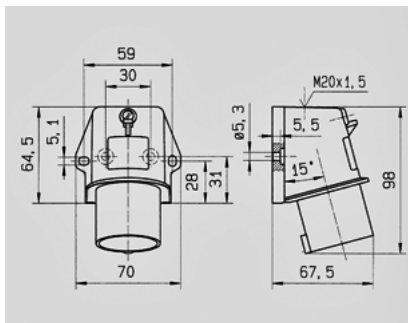
Wall mounted inlet - Part no. 844



- screw terminals
- for internal or external fixing
- for hinged lids for retrofit see accessories

Technical information

Ampere	16 A
Poles	3 p
Voltage	230V
Earth position	6 h
Hertz	50-60 Hz
Connection technology	Screw terminals
Contact	standard
Protection type	IP 44

Drawing
2 MB 213

Dim. in mm