

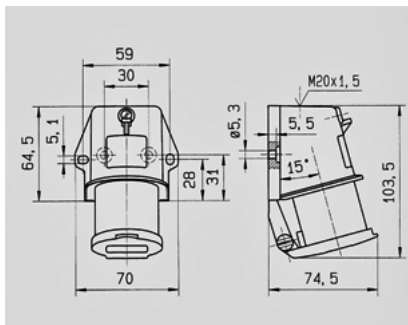
Wall mounted inlet - Part no. 846



- screw terminals
- with hinged lid
- for internal or external fixing

Technical information

Ampere	16 A
Poles	3 p
Voltage	110V
Earth position	4 h
Hertz	50-60 Hz
Connection technology	Screw terminals
Contact	standard
Protection type	IP 44

Drawing
2 MB 212

Dim. in mm