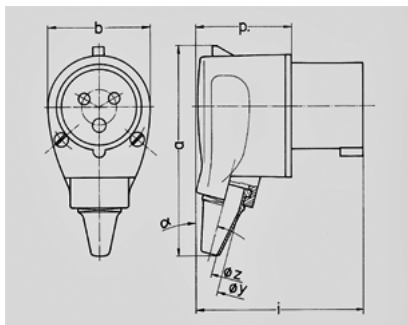


**Angled plug - Part no. 891**


- screw terminals
- with grommet
- especially suited for use with receptacles of the Cepex range

## Technical information

Ampere	16 A
Poles	4 p
Voltage	230V
Earth position	9 h
Hertz	50-60 Hz
Connection technology	Screw terminals
Contact	nickel plated contacts
Protection type	IP 44



2 MB 69 2 MB 45	Amp. Poles	16		32		
		3	4	3	4	5
Dim. in mm	a	107	129	96	96	101
	b	53	58	72	72	72
	h	—	—	—	—	115
	i	85	71	115	115	—
	o	—	—	—	—	70
	p	49	35	70	70	—
	y	17,5	17,5	22	22	22
	z	7	7	11	11	11
	α	15°	—	8°	8°	—
Terminal for cond. cross		1	1	2,5	2,5	2,5
section (mm <sup>2</sup> ) min.-max.		—2,5	—2,5	—6	—6	—6