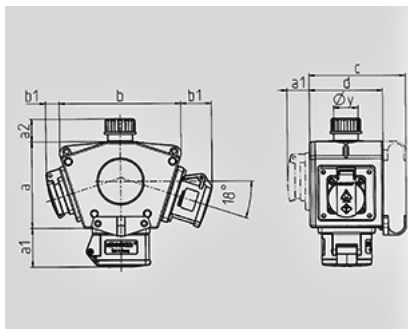


DELTA-BOX receptacle combination - Part no. 92658


- pre-wired for installation
- with cable grip and installed hanging hook
- enclosure and insert made of AMAPLAST

Technical information

Fitted with	1 CEE 16A, 5p, 400V 3 SCHUKO® 16A, 230V
Connection/feeder cable	for 1 cable up to 5 x 10 mm ²
Protection type	IP 44



3 MB 44			
Pos.	Receptacles	IP-degrees	Dim.
a			114.0 mm
a1	SCHUKO®, 16 A, 230 V	IP 44	max. 30.0 mm
a1	CEE 16 A, 3 p, 230 V	IP 44	52.7 mm
a1	CEE 16 A, 5 p, 400 V	IP 44	50.5 mm
a1	CEE 32 A, 5 p, 400 V	IP 44	64.0 mm
a2			30.0 mm
b			160.0 mm
b1	SCHUKO®, 16 A, 230 V	IP 44	max. 18.0 mm
b1	CEE 16 A, 3 p, 230 V	IP 44	42.0 mm
b1	CEE 16 A, 5 p, 400 V	IP 44	40.0 mm
b1	CEE 32 A, 5 p, 400 V	IP 44	53.2 mm
c			133.0 mm
d			97.0 mm
y			17.0 mm