

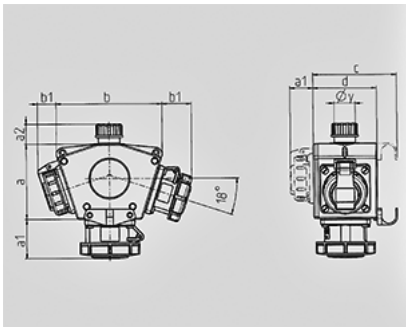
DELTA-BOX receptacle combination - Part no. 92893

- pre-wired for installation
- with cable grip and installed hanging hook
- enclosure and insert made of AMAPLAST



Technical information

Fitted with	2 CEE 16A, 5p, 400V 1 CEE 16A, 3p, 230V
Connection/feeder cable	for 1 cable up to 5 x 10 mm ²
Protection type	IP 67



3 MB 45			
Pos.	Receptacles	IP-degrees	Dim.
a			114.0 mm
a1	SCHUKO®, 16 A, 230 V	IP 68	35.0 mm
a1	CEE 16 A, 3 p, 230 V	IP 67	56.3 mm
a1	CEE 16 A, 5 p, 400 V	IP 67	59.0 mm
a2			30.0 mm
b			160.0 mm
b1	SCHUKO®, 16 A, 230 V	IP 44	24.0 mm
b1	CEE 16 A, 3 p, 230 V	IP 44	44.3 mm
b1	CEE 16 A, 5 p, 400 V	IP 44	47.0 mm
c			133.0 mm
d			97.0 mm
y			17.0 mm