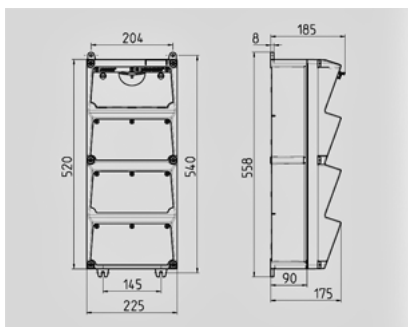


AMAXX® receptacle combination - Part no. 940014


- pre-wired for installation
- hinged to the side
- enclosure and insert made of AMAPLAST
- fusing behind a transparent cover

Technical information	
Fitted with	1 CEE 32A, 5p, 400V 1 CEE 16A, 5p, 400V 2 SCHUKO® 16A, 230V
Fusing	1 RCD 40A, 4p, 0.03A 1 MCB 32A, 3p, C 1 MCB 16A, 3p, C 2 MCB's 16A, 1p, C
Pre-fuse max.	40 A
InA	40 A
RDF	0,7
Connection/feeder cable	for 2 cables up to 5 x 25 mm ²
Enclosure size	520 x 225 mm (H x W)
Protection type	IP 67


Drawing 1 MB 523

Depth dimensions at various fittings.

Receptacles	Degrees	Depth
SCHUKO®16A, 230 V	IP 44	186 mm
	IP 67	208 mm
CEE 16A, 3p, 230V	IP 44	216 mm
	IP 67	220 mm
CEE 16A, 5p, 400V	IP 44	222 mm
	IP 67	226 mm
CEE 32A, 5p, 400V	IP 44	231 mm
	IP 67	236 mm
CEE 63A, 5p, 400V	IP 44	260 mm
	IP 67	260 mm

Cable entries: closed for cut out. 2 x M 40 each on top and bottom, 2 x M 20 each on top and bottom for cut out.