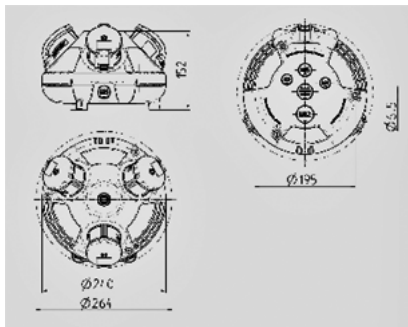


3KRAFT® - Part no. 94356GE

- pre-wired for installation
- back box in black
- hinged cover available in red (RO), yellow (GE) or silver (SI)
- enclosure and insert made of AMAPLAST

Technical information

Fitted with	1 CEE 16A, 5p, 400V 2 SCHUKO® 16A, 230V
Connection/feeder cable	3 m H07RN-F5G2.5 with CEE-plug 16A, 5p, 400V
Protection type	IP 44

Drawing
1 MB 442

Dim. in mm