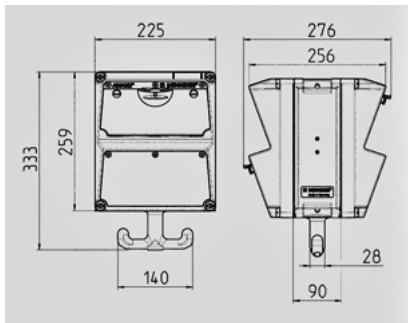


AMAXX® receptacle combination - Part no. 970003SI


- pre-wired for installation
- hinged to the side
- enclosure and insert made of AMAPLAST
- fusing behind a transparent cover
- with suspension eyes on top, grip hooks on the bottom and chain set provided

Technical information

Fitted with	1 CEE 32A, 5p, 400V 1 CEE 16A, 5p, 400V 4 SCHUKO® 16A, 230V
Fusing	1 MCB 32A, 3p, C 1 MCB 16A, 3p, C 4 MCB's 16A, 1p, C
Pre-fuse max.	63 A
InA	63 A
RDF	0,85
Connection/feeder cable	for 1 cable up to 5 x 10 mm ²
Enclosure size	260 x 225 mm (H x W)
Protection type	IP 44


Drawing 1 MB 630

Depth dimensions for identical configuration on both sides.

Receptacles	Degrees	Depth
SCHUKO® 16A, 230 V	IP 44	282 mm
	IP 67	326 mm
CEE 16A, 3p, 230V	IP 44	342 mm
	IP 67	350 mm
CEE 16A, 5p, 400V	IP 44	354 mm
	IP 67	362 mm
CEE 32A, 5p, 400V	IP 44	372 mm
	IP 67	382 mm

Cable entries: closed for cut out.

1 x M 32 on top, 1 x M 25 on top and 1 x M 20 on top.