

**Discontinuation Notice of Fiber unit model E32-T22S-7.****Product Discontinuation**

Fiber Units

**Model E32-T22S-7****Recommended Replacement**

Fiber Units

**Model E32-A04 2M****[ Discontinuation date ]**

The end of March 2016

**[ Caution on recommended replacement ]**

The detection direction changes from a top view to a side view.  
The aperture angle changes from 8° to 4.3°.

**[ Difference from discontinued product ]**

Recommended replacement Model	Body Color	Dimensions	Wire connection	Mounting Dimensions	Characteristics	Operation ratings	Operation methods
E32-A04 2M	**	--	**	--	*	*	

\*\* : Compatible

\* : The change is a little/Almost compatible

-- : Not compatible

- : No corresponding specification

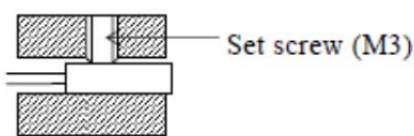
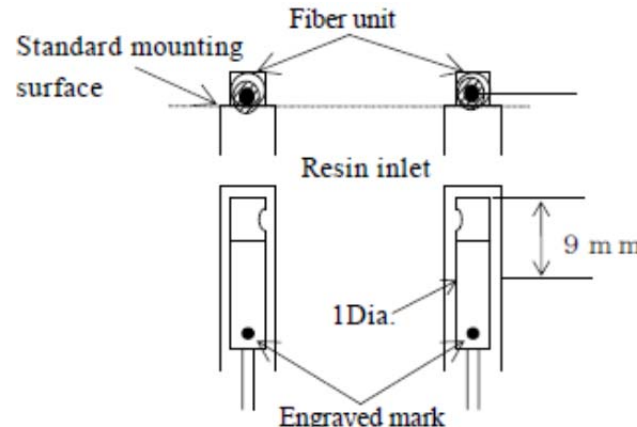
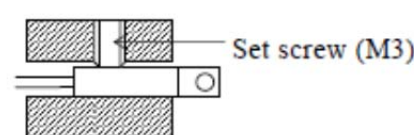
**[ Product Discontinuation and recommended replacement ]**

Product discontinuation	Recommended replacement
E32-T22S-7	E32-A04 2M

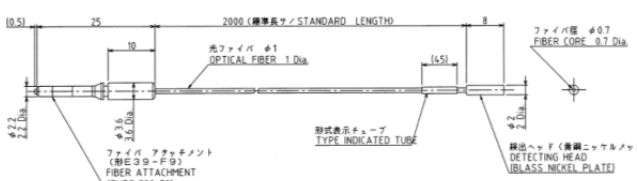
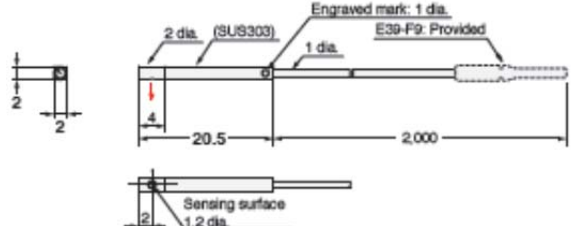
**[ Body color ]**

Product discontinuation Model E32-T22S-7	Recommendable replacement Model E32-A04
Detecting head ; Silver Fiber ; Blach	

[ Mounting dimensions ]

Product discontinuation Model E32-T22S-7	Recommendable replacement Model E32-A04
<p>The clamping torque of the fiber head is 0.29N·m maximum. However, please do not screw around resin inlet. (See the shaded area in the above figure.)</p>  <p>Set screw (M3)</p>	 <p>Fiber unit Standard mounting surface Resin inlet 9 mm 1Dia. Engraved mark</p> <p>The clamping torque of the fiber head is 0.29N·m maximum. However, please do not screw around resin inlet. (See the shaded area in the above figure.)</p>  <p>Set screw (M3)</p>

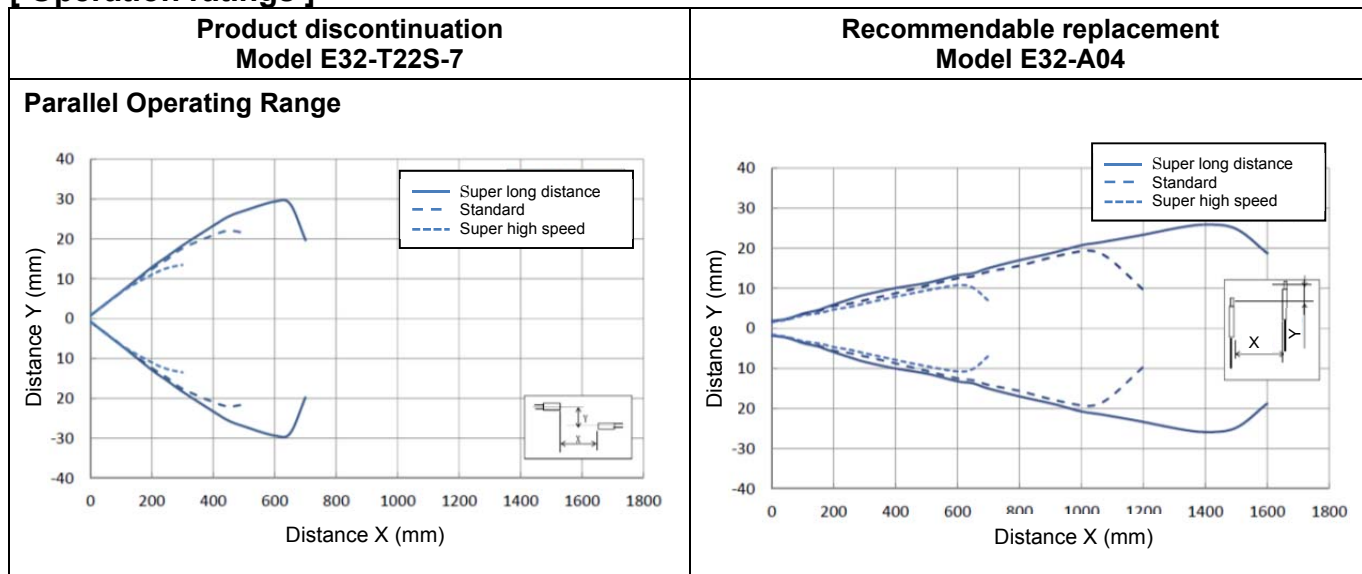
[ Dimensions ]

Product discontinuation Model E32-T22S-7	Recommendable replacement Model E32-A04
	 <p>Note: Use the engraved surface and its opposing surface as installation (reference) surfaces.</p>

[ Characteristics ]

Item		Product discontinuation Model E32-T22S-7	Recommendable replacement Model E32-A04
Sensing distance (E3X-DA11-N)	Super long distance mode	350 mm	440 mm
	Standard mode	290 mm	340 mm
	Super high speed mode	170 mm	170 mm
Detecting object		Opaque 0.7 mm dia. min.	Opaque 1.2 mm dia. min.
Aperture angle		8°	4.3°
Clamping torque of the fiber head		0.29 N·m	
Ambient temperature Using conditions		-40 to +70°C	
Minimum bending radius of the fiber		R10 mm	

[ Operation ratings ]



Specifications and prices in this product news are as of the issue date and are subject to change without notice. Only main changes in specifications are described in this document. Please be sure to read the relevant catalogs, datasheets, product specifications, instructions, and manuals for precautions and necessary information when using products.