

Product Discontinuation Notices

Pressure Sensors

Issue Date
December 1, 2014

No. 2013026CE(2)

Discontinuation Notice of Pressure Sensors Model E8CC and Model E8AA Series.

<< REQUEST >>

There was modification in portion of Product Discontinuation notices of Product News No. 2013026CE of April 2013 issue. What we have added is as follows; "(For your Reference)".
Please abolish old edition, replace the latest No. 2013026CE(2).

Product Discontinuation

Slim Digital Pressure Sensor

Model E8CC Series



Model E8CC-A01C 2M
Model E8CC-AN0C 2M
Model E8CC-B10C 2M

Pressure Sensor

Model E8AA Series



Model E8AA-M05 0-500 2M
Model E8AA-M10 0-1000 2M
Model E8AA-M10 0-1000 10M



BRACKET FOR E8CC

Recommended Replacement

Digital Pressure Sensor

Model E8F2 Series

Model E8F2-A01C
Model E8F2-AN0C
Model E8F2-B10C

**No recommended replacement
by OMRON**

< For Your Reference >

Model PSE56[] Series by SMC Corporation

No recommended replacement

[Discontinuation date]

The end of March, 2014

[Caution on recommended replacement]

E8CC Series

- * It will be changed from Slim type to LED digital display type.
- * Wiring will be changed from 4 wired to 5 wired.
- * Withstand pressure will be changed from 490 kPa (E8CC-A01 and E8CC-AN0C) to 400 kPa (E8F2-A01C and E8F2-AN0C).

E8AA Series

There are no recommendation replacements of OMRON.

< For Your Reference >

The current output model of PSE[] Series (SMC Corporation) is 2 wired. Wiring will be changed.
Please inquire to a trading company about the specification of the replacement of SMC Corporation.

[Difference from discontinued product]

E8CC Series

Recommended replacement Model	Body Color	Dimen-sions	Wire connection	Mounting Dimensions	Charact-eristics	Operation ratings	Operation methods
Model E8F2 Series	*	--	*	--	*	*	--

- ** : Compatible
- * : The change is a little/Almost compatible
- : Not compatible
- : No corresponding specification

E8AA Series

No replacement by OMRON

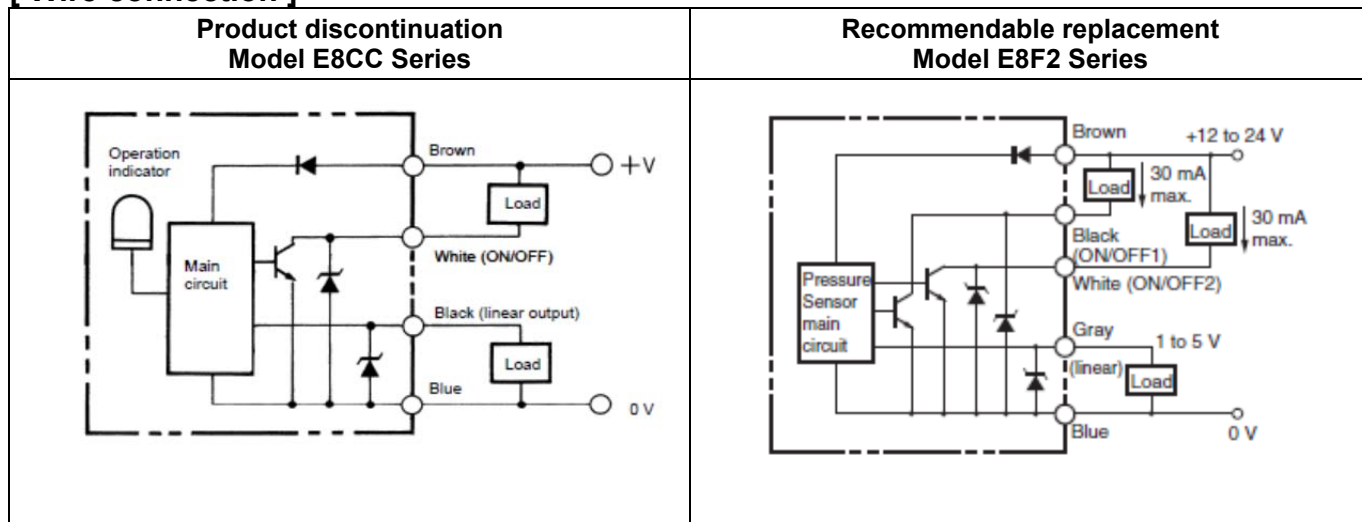
[Product Discontinuation and recommended replacement]

Product discontinuation	Recommended replacement
Model E8CC-A01C 2M	Model E8F2-A01C
Model E8CC-AN0C 2M	Model E8F2-AN0C
Model E8CC-B10C 2M	Model E8F2-B10C
Model E8AA-M05 0-500 2M	No replacement by OMRON
Model E8AA-M10 0-1000 2M	
Model E8AA-M10 0-1000 10M	
BRACKET FOR E8CC	No recommended replacement

[Body color]

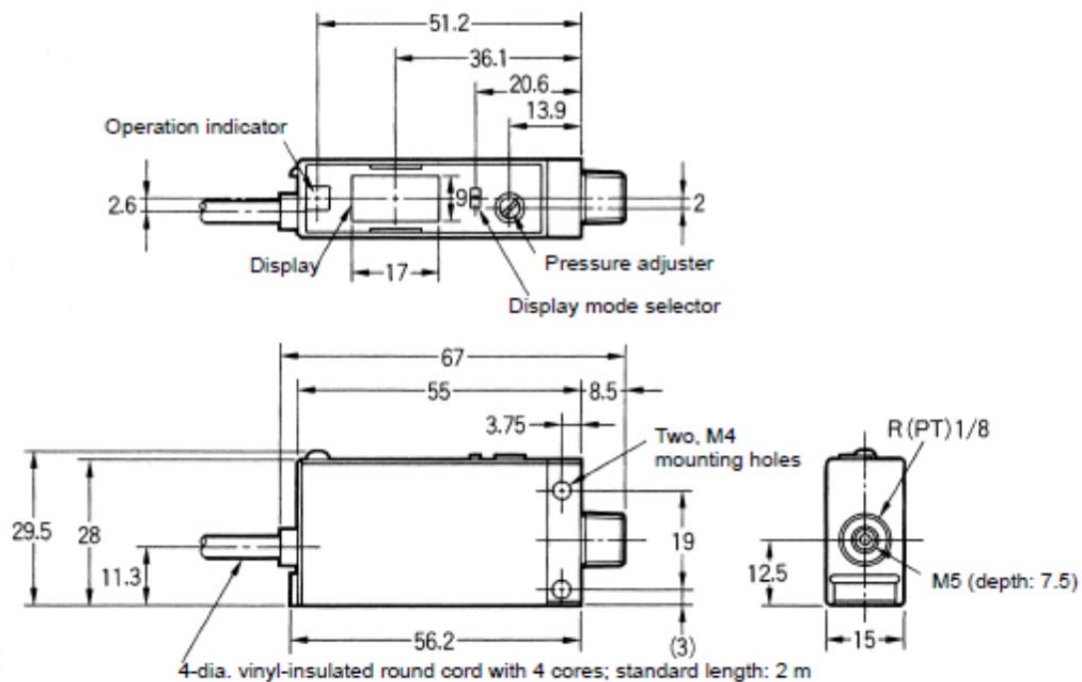
Product discontinuation Model E8CC Series	Recommendable replacement Model E8F2 Series
Black/Silver	Black

[Wire connection]

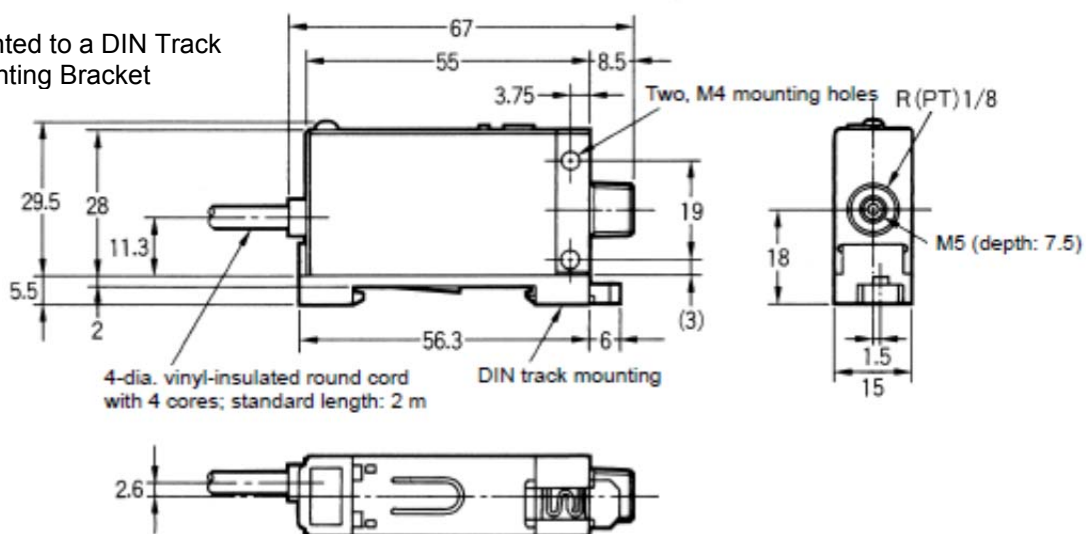


[Dimensions]

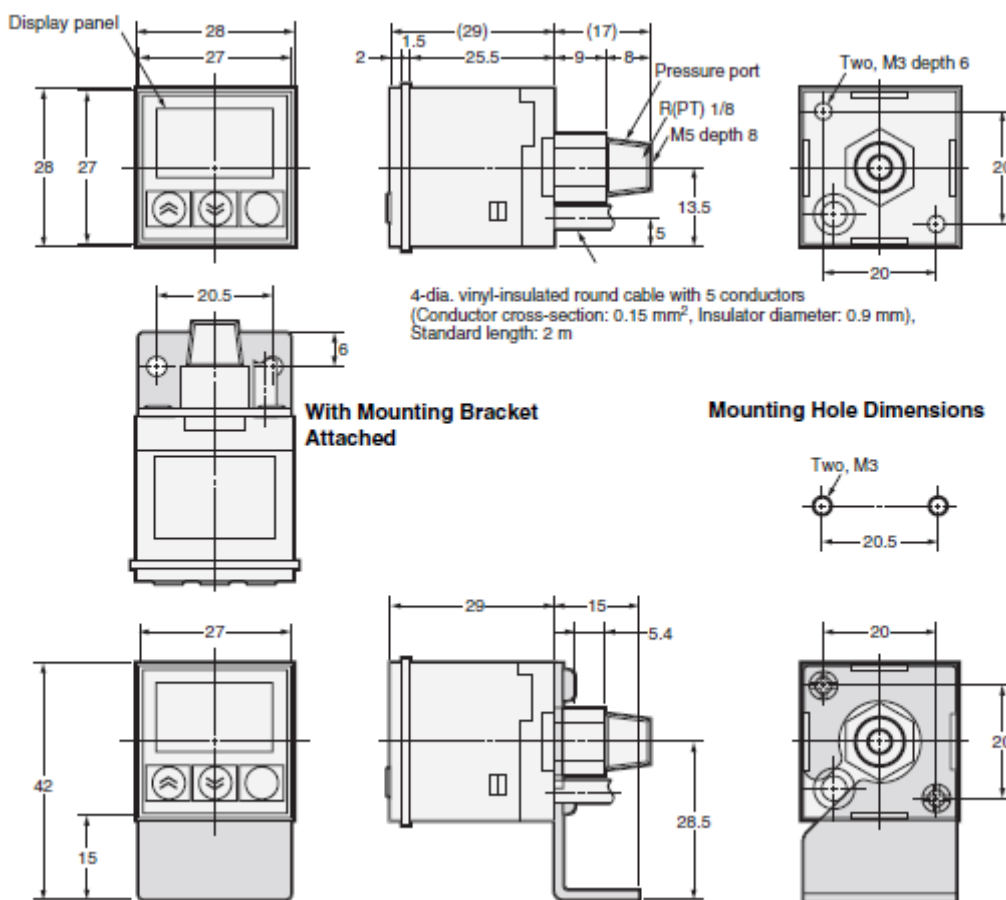
Product discontinuation
Model E8CC Series



* Mounted to a DIN Track
Mounting Bracket



**Recommendable replacement
Model E8F2 Series**



[Characteristics]

Item	Model	Product discontinuation Model E8CC Series			Recommendable replacement Model E8F2 Series		
		E8CC-A01C	E8CC-AN0C	E8CC-B10C	E8F2-A01C	E8F2-AN0C	E8F2-B10C
Power supply voltage		12 to 24 VDC ±10% with a ripple (p-p) of 5% max.			12 to 24 VDC ±10% with a ripple (p-p) of 10% max.		
Current consumption		30 mA max.			70 mA max.		
Pressure type		Gauge pressure			Gauge pressure		
Permissible pressure range		0 to 98 kPa	0 to -101 kPa	0 to -980 kPa	0 to 100 kPa	0 to -101 kPa	0 to 1MPa
Pressure setting range		0 to 98 kPa	0 to -101 kPa	0 to -980kPa	0 to 100 kPa	0 to -101 kPa	0 to 1MPa
Withstand pressure		490 kPa		1.5 MPa	400 kPa		1.5 MPa
Applicable fluid		Noncorrosive and nonflammable gases			Noncorrosive and nonflammable gases		
Repeat accuracy (ON/OFF output)		±1% FS max.			±1% FS max.		
Accuracy (linear output)		±3% FS max.					
Differential travel (ON/OFF output)		±2% FS max.					
Linearity (linear output)		±1% FS max.			±1% FS max.		
Response time		5 ms max.			5 ms max.		

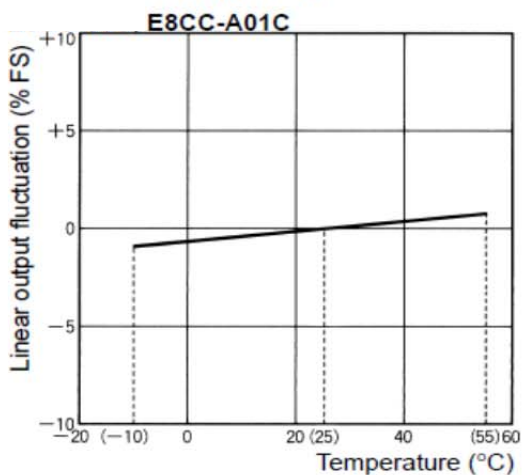
Item	Model	Product discontinuation Model E8CC Series			Recommendable replacement Model E8F2 Series		
		E8CC-A01C	E8CC-AN0C	E8CC-B10C	E8F2-A01C	E8F2-AN0C	E8F2-B10C
Linear output		1 to 5 V with an output impedance of 20 Ω and a permissible resistive load of 10 k Ω min.			1 to 5 V with an output impedance of 1 k Ω and a permissible resistive load of 500 k Ω .		
ON/OFF output		NPN open collector			NPN open collector		
Load current		80 mA max.			30 mA max.		
Output applied voltage		30 VDC max.			30 VDC max.		
Residual voltage		1 V max. (with a load current of 80 mA) and 0.4 V max. (with a load current of 20 mA)			1 V max. with 30 mA load current		
Protection circuits		Reversed power supply connection, load short-circuit protection			Reverse polarity protection, load short-circuit protection		
Display		2 1/2-digit display Red LED ON with output transistor turned ON			3.5-digit red LED Green LED bar indicator The orange LED is lit for two independent outputs with output transistor turned ON. Green unit indicator		
Display accuracy		$\pm 3\%$ FS ± 1 digit max. (within a temperature range between 0°C and 50°C)			$\pm 3\%$ FS ± 1 digit max.		
		$\pm 4\%$ FS ± 1 digit max. (within a temperature range between 50°C and 55°C)					
		$\pm 5\%$ FS ± 1 digit max. (within a temperature range between 0°C and -10°C)					
Ambient temperature		Operating: -10°C to 55°C (with no icing) Storage: -25°C to 70°C (with no icing)			Operating: 0 to 55°C (with no icing) Storage: -10 to 60°C (with no icing)		
Ambient humidity		Operating/Storage: 35% to 95% (with no icing)			Operating/Storage: 35% to 85% (with no condensation)		
Temperature influence		$\pm 0.12\%$ FS/°C between 0°C and 50°C , $\pm 0.2\%$ FS/°C max. between -10°C and 0°C or 50°C and 55°C			$\pm 3\%$ FS max.		
Voltage influence		$\pm 1.5\%$ FS max.			$\pm 1.5\%$ FS max.		
Insulation resistance		50 M Ω min. (at 500 VDC) between current carrying parts and case			100 M Ω min. (at 500 VDC) between current-carrying parts and case		
Dielectric strength		1,000 VAC at 1 min			1,000 VAC at 1 min		
Vibration resistance (destruction)		10 to 500 Hz, 1.5-mm double amplitude or 100 m/s ² (10 G) for 2 hours each in X, Y, and Z directions			10 to 500 Hz, 1.0-mm double amplitude or 150 m/s ² , three times each for 11 min in the X, Y, and Z directions		
Shock resistance (destruction)		1,000 m/s ² (100 G) 3 times each in X, Y, and Z directions			300 m/s ² 3 times each in the X, Y, and Z directions		
Degree of protection		IP50 (IEC)			IP50 (IEC)		
Pressure port		R (PT) 1/8 and M5 female screws			R (PT) 1/8 taper screw and M5 female screw		
Connection method		Prewired (standard cord length: 2 m)			Prewired (standard cord length: 2 m)		
Weight (packaged)		Approx. 80 g			Approx. 110 g		
Material (Pressure port)		Aluminum			Aluminum die-cast		
Accessories		Mounting Bracket for DIN rail, Instruction manual			Mounting Bracket, Instruction manual		

[Operation ratings]

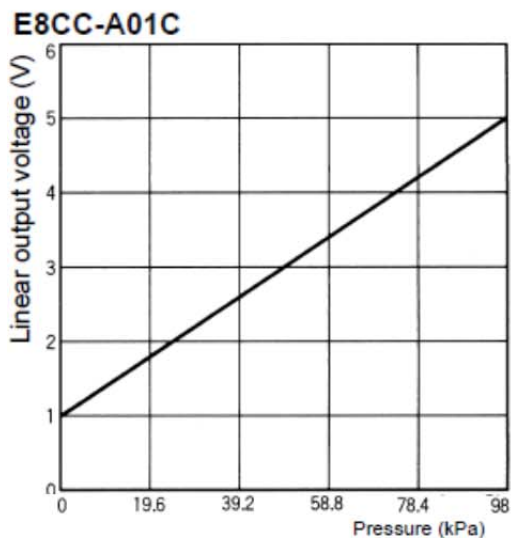
Product discontinuation
Model E8CC Series

Recommendable replacement
Model E8F2 Series

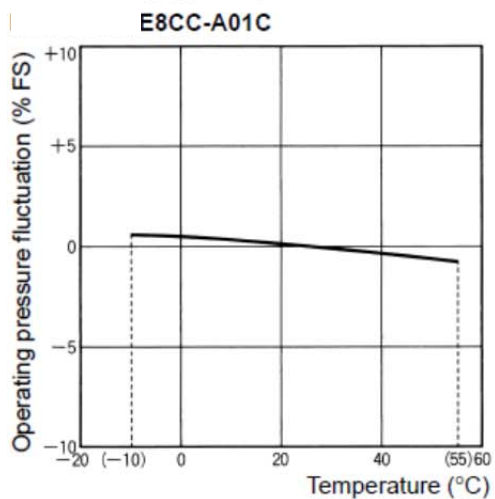
Temperature vs. Linear Output Fluctuation (Typical)



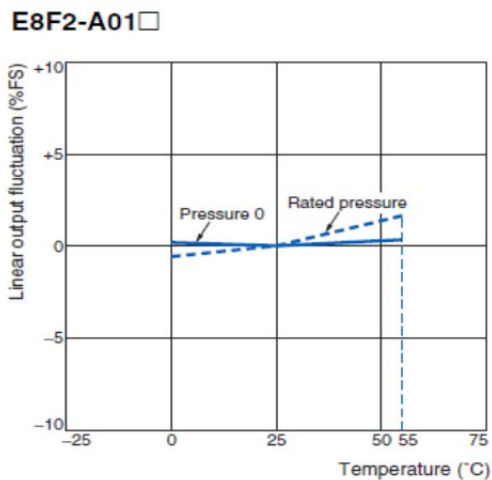
Pressure vs. Linear Output Voltage (Typical)



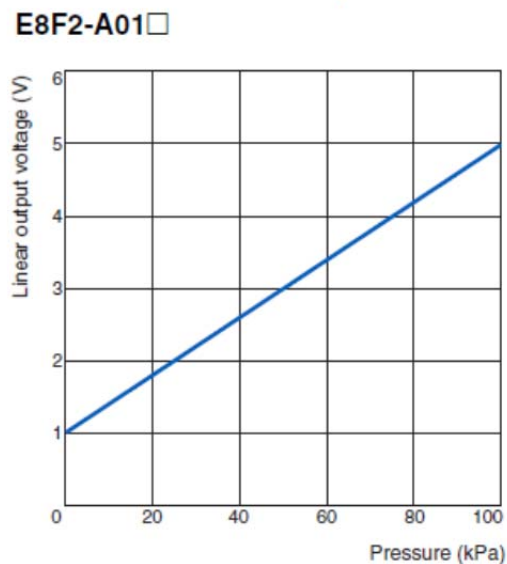
Temperature vs. Operating Pressure (Typical)



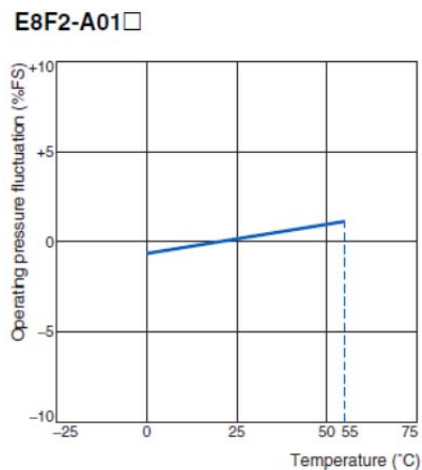
Temperature vs. Linear Output Current Fluctuation

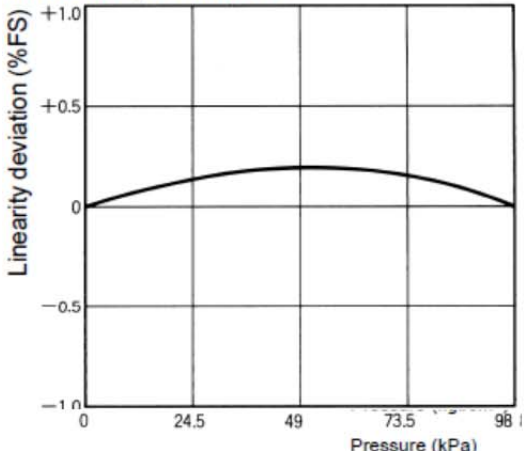
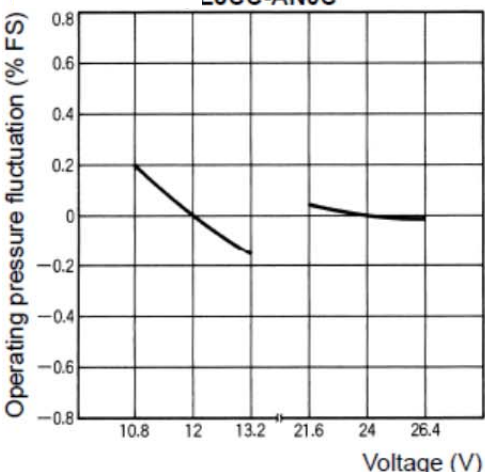
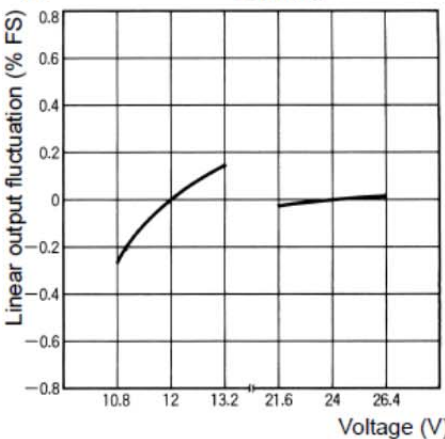
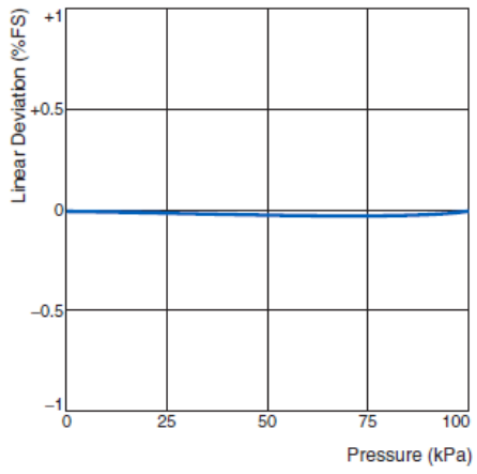


Pressure vs. Linear Output



Temperature vs. Operating Pressure Fluctuation



Product discontinuation Model E8CC Series	Recommendable replacement Model E8F2 Series
<p>Linearity (Typical)</p> <p>E8CC-A01C</p>  <p>Voltage vs. Operating Pressure Fluctuation (Typical)</p> <p>E8CC-AN0C</p>  <p>Voltage vs. Linear Output Fluctuation (Typical)</p> <p>E8CC-AN0C</p> 	<p>Linearity</p> <p>E8F2-A01□</p>  <p>No data</p> <p>No data</p>

Specifications and prices in this product news are as of the issue date and are subject to change without notice. Only main changes in specifications are described in this document. Please be sure to read the relevant catalogs, datasheets, product specifications, instructions, and manuals for precautions and necessary information when using products.