

Product Discontinuation Notices

Vision Sensors / Machine Vision Systems

Issue Date
March 3, 2014

No. 2014030CE

Discontinuation Notice of Intelligent Camera (Wide View) model FZ-SLC100 and Intelligent Camera Diffusion Plate (Wide View) model FZ-SLC100-DL.

Product Discontinuation

Intelligent cameras (Wide field of vision)

Model FZ-SLC100



Intelligent camera diffusion plate(Wide field of vision)

Model FZ-SLC100-DL

Recommended Replacement

Intelligent Compact Cameras (Standard view)

Model FZ-SQ050F

Intelligent Compact Cameras (Wide View (short-distance))

Model FZ-SQ100N

No recommended replacement

[Discontinuation date]

The end of March, 2015

[Caution on recommended replacement]

Replacement from FZ-SLC100 to FZ-SQ050F or FZ-SQ100N

The mounting direction and Installation distance etc. are different.

And so please confirm using the products in actual and in advance carefully.

The size of view must be adjusted in manual.

Replacement FZ-SLC100-DL

Please consider model FZ-SQ series with the camera and illumination too

[Difference from discontinued product]

Recommended replacement Model	Body Color	Dimensions	Wire connection	Mounting Dimensions	Characteristics	Operation ratings	Operation methods
FZ-SQ050F FZ-SQ100N	--	--	**	--	*	*	--

** : Compatible

* : The change is a little/Almost compatible



-- : Not compatible


- : No corresponding specification

[Product Discontinuation and recommended replacement]

Product discontinuation	Recommended replacement
FZ-SLC100	FZ-SQ050F FZ-SQ100N
FZ-SLC100-DL	No recommended replacement

[Body color]

<p>Product discontinuation Intelligent Camera (Wide View) Model FZ-SLC100</p>	<p>Recommendable replacement Intelligent Compact Camera (Standard View) Model FZ-SQ050F Intelligent Compact Camera (Wide View) Model FZ-SQ100N</p>
	

<p>Product discontinuation Intelligent Camera Diffusion Plate (Wide View) Model FZ-SLC100-DL</p>	<p>Recommendable replacement</p>
	<p>No recommended replacement</p>

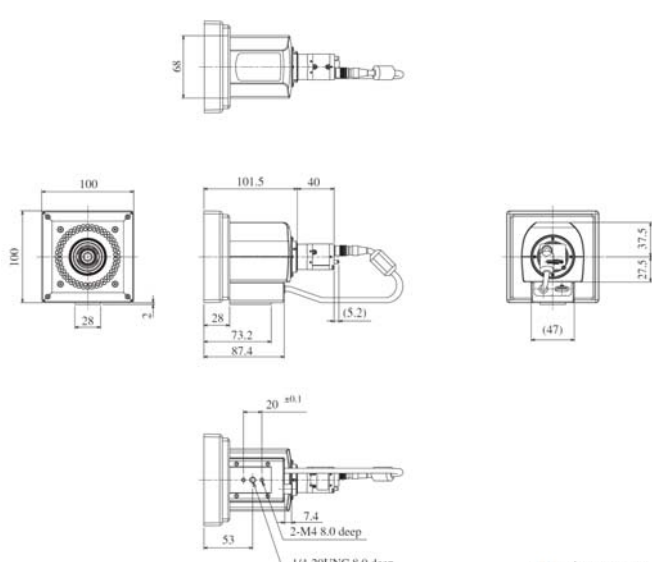
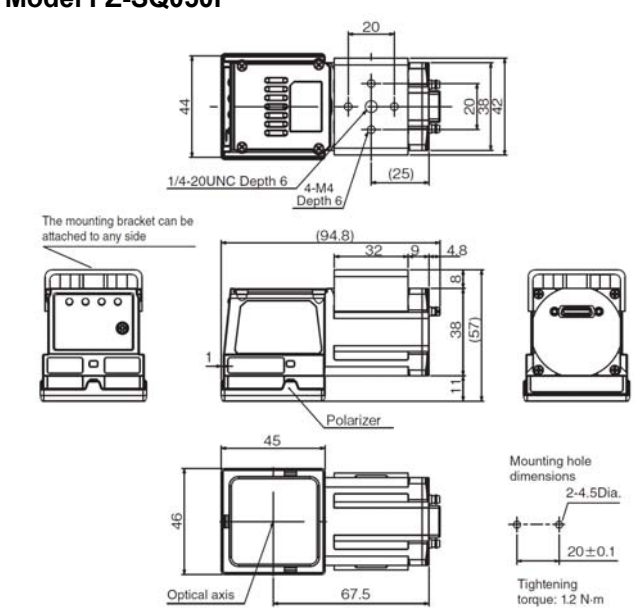
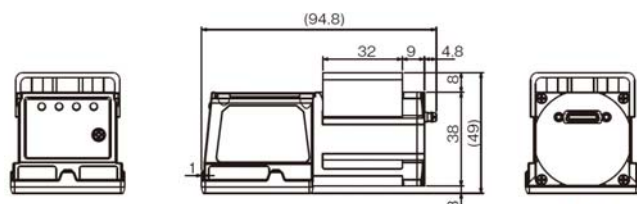
[Wire connection]

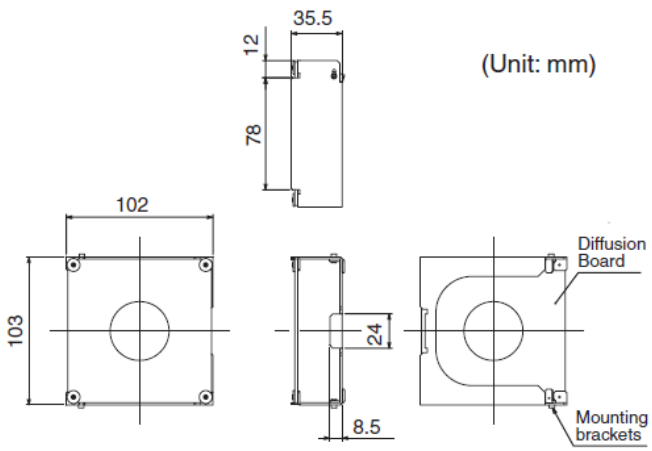
<p>Product discontinuation Intelligent Camera (Wide View) Model FZ-SLC100</p>	<p>Recommendable replacement Intelligent Compact Camera (Standard View) Model FZ-SQ050F Intelligent Compact Camera (Wide View) Model FZ-SQ100N</p>
--	---

Cameras / Cables Connection Table

Type of camera cable	Model of camera cable	Cable length	Product discontinuation	Recommendable replacement
			Intelligent Camera Model FZ-SLC100	Intelligent Compact Camera Model FZ-SQ050F Model FZ-SQ100N
Camera Cables Right-angle camera cables	FZ-VS FZ-VSL	2 m	Yes	Yes
		5 m	Yes	Yes
		10 m	No	Yes
Bend resistant camera cables	FZ-VSB	2 m	Yes	Yes
		5 m	Yes	Yes
		10 m	No	Yes
Long-distance camera cable Long-distance right-angle camera cable	FZ-VS2 FZ-VSL2	15 m	No	Yes

[Dimensions]

<p align="center">Product discontinuation Intelligent Camera (Wide View) Model FZ-SLC100</p>	<p align="center">Recommendable replacement Intelligent Compact Camera (Standard View) Model FZ-SQ050F Intelligent Compact Camera (Wide View) Model FZ-SQ100N</p>
 <p align="right">(Unit: mm)</p>	<p>Model FZ-SQ050F</p>  <p>The mounting bracket can be attached to any side</p> <p>Polarizer</p> <p>Optical axis</p> <p>Mounting hole dimensions</p> <p>2-4.5Dia.</p> <p>20±0.1</p> <p>Tightening torque: 1.2 N·m</p> <p>Model FZ-SQ100N</p>  <p align="right">(Unit: mm)</p>

<p align="center">Product discontinuation Intelligent Camera Diffusion Plate (Wide View) Model FZ-SLC100-DL</p>	<p align="center">Recommendable replacement</p>
 <p align="right">(Unit: mm)</p>	<p align="center">No recommended replacement</p>

[Characteristics]

Item		Product discontinuation Intelligent Camera (Wide View) Model FZ-SLC100	Recommendable replacement Intelligent Compact Camera (Standard View) Model FZ-SQ050F Intelligent Compact Camera (Wide View) Model FZ-SQ100N
Camera specifications	Picture element	1/3-inch interline color CCD	1/3-inch color CMOS
	Effective pixels	659 (H) × 494 (V)	752 (H) × 480 (V)
	Pixel size	7.4 (μm) × 7.4 (μm)	6.0 (μm) × 6.0 (μm)
	Scanning method	Non-interlace mode	
	Number of lines to be read	12 lines to 480 lines	8 lines to 480 lines
	Synchronization	Internal synchronization	
	Gain	0 dB to +13 dB	0 dB to +12 dB
	Shutter speed	1/10 to 1/50000 s	1/250 to 1/32,258 s
Lens	Operating system	Electrically driven magnification, focusing and iris	Focusing (manual)
	Zoom	Vari-focal	---
	Range of view	13 to 100 mm	Model FZ-SQ050F: 13 × 8.2 to 53 × 33 mm Model FZ-SQ100N: 29 × 18 to 300 × 191 mm
	Working distance	70 mm to 190 mm	Model FZ-SQ050F: 56 to 215 mm Model FZ-SQ100N: 32 to 380 mm
Illumination	Light source	White LED	White LED
	Lighting system	8-block lighting with variable illumination intensity	ON/OFF (available)
General specifications	Power consumption	12 VDC, 1.2 A maximum	24 VDC, 1.0 A maximum
	Vibration resistance	10 to 150 Hz, half-amplitude: 0.35 mm (maximum acceleration 50 m/s ²) 10 times each in X, Y and Z directions for 8 min	
	Shock resistance	150 m/s ² , 3 times each in 6 directions (up/down, left/right, forward/backward)	
	Ambient Temperature	Operating: 0 to 50°C (with no icing or condensation) Storage: -25 to 65°C (with no icing or condensation)	
	Ambient humidity	Operating and storage: 35 to 85% (with no condensation)	
	Ambient environment	No corrosive gases	
	Degree of protection	IEC60529 IP20	IEC60529 IP40
	Material	Cover for camera: Galvanized steel sheet metal Case for camera: Aluminum alloy Case for lens: ABS Cover for illumination: Aluminum alloy Mount base: Aluminum alloy	Camera: PBT, PC, SUS Mounting Bracket: PBT Polarizing Filter Attachment: PBT, PC
Weight	Approx. 670 g (including base)	Model FZ-SQ050F: Approx. 150 g Model FZ-SQ100N: Approx. 140 g	

Item	Product discontinuation Intelligent Camera Diffusion Plate (Wide View) Model FZ-SLC100-DL	Recommendable replacement
Transmittance	87% (typical value)	No recommended replacement
Vibration resistance	10 to 150 Hz, half-amplitude: 0.35 mm (maximum acceleration: 50 m/s ²) 10 times for 8 minutes each in 3 directions	
Shock resistance	150 m/s ² , 3 times each in 6 directions	
Ambient temperature	Operating: 0 to 50°C (with no icing or condensation) Storage: -25 to 60°C (with no icing or condensation)	
Ambient humidity	Operating and storage: 35% to 85% (with no condensation)	
Ambient environment	No corrosive gases	
Materials	Diffusion Board: PMMA Illumination cover: Aluminum alloy	
Weight	Approx. 70 g	

[Operation ratings]

Product discontinuation Intelligent Camera (Wide View) Model FZ-SLC100	Recommendable replacement Intelligent Compact Camera (Standard View) Model FZ-SQ050F Intelligent Compact Camera (Wide View) Model FZ-SQ100N
<p>Field of vision</p> <p>FZ-SLC100</p>	<p>Field of vision</p> <p>FZ-SQ050F</p> <p>FZ-SQ100N</p>

Specifications and prices in this product news are as of the issue date and are subject to change without notice. Only main changes in specifications are described in this document. Please be sure to read the relevant catalogs, datasheets, product specifications, instructions, and manuals for precautions and necessary information when using products.