

Discontinuation Notice of RFID Systems the part of V680 series.**Product Discontinuation**

RFID Systems

**Model V680-D2KF67
Model V680-D2KF67M****Recommended Replacement**

RFID Systems

**Model V680S-D2KF67
Model V680S-D2KF67M**
(Will released on December 2013)**[Discontinuation date]**

The end of February, 2014

[Caution on recommended replacement]

Recommended replacement products are designed at the same specification almost, but there are some differences.

Exterior color, Dimensions (thickness), etc..

Please consider had enough in advance occasion of use.

[Difference from discontinued product]

Recommended replacement Model	Body Color	Dimen-sions	Wire connection	Mounting Dimensions	Charact-eristics	Operation ratings	Operation methods
V680S-D2KF67	--	*	-	**	*	*	-
V680S-D2KF67M	--	*	-	**	*	*	-

** : Compatible

* : The change is a little/Almost compatible



-- : Not compatible

- : No corresponding specification

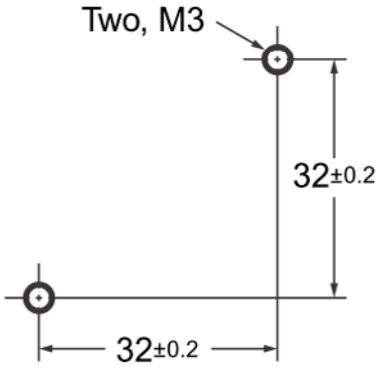
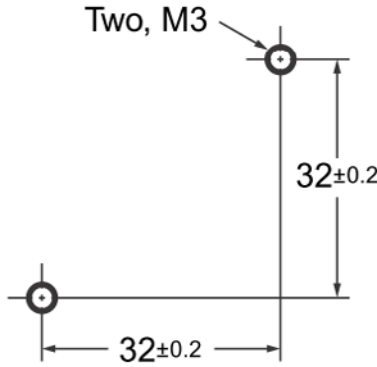
[Product Discontinuation and recommended replacement]

Product discontinuation	Recommended replacement
V680-D2KF67	V680S-D2KF67
V680-D2KF67M	V680S-D2KF67M

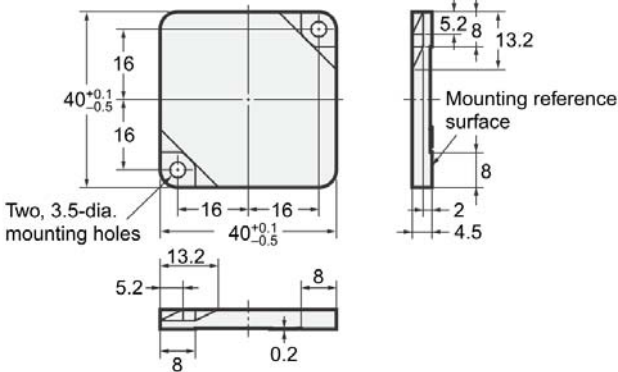
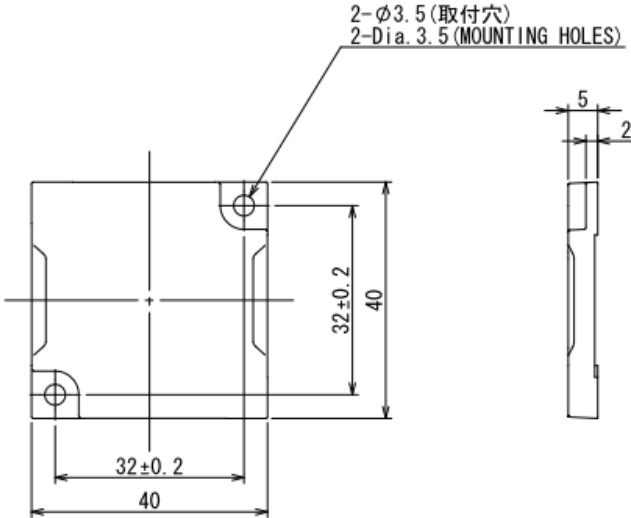
[Body color]

<p>Product discontinuation Model V680-D2KF67 and V680-D2KF67M</p>	<p>Recommendable replacement Model V680S-D2KF67 and V680S-D2KF67M</p>
<p>Ivory</p> 	<p>Black</p> 

[Mounting dimensions]

<p>Product discontinuation Model V680-D2KF67 and V680-D2KF67M</p>	<p>Recommendable replacement Model V680S-D2KF67 and V680S-D2KF67M</p>
<p>Mounting Hole Dimensions</p> <p>Two, M3</p>  <p>32±0.2</p> <p>32±0.2</p> <p>(unit: mm)</p>	<p>Mounting Hole Dimensions</p> <p>Two, M3</p>  <p>32±0.2</p> <p>32±0.2</p> <p>(unit: mm)</p> <p>Same as product discontinuation models</p>

[Dimensions]

<p>Product discontinuation Model V680-D2KF67 and V680-D2KF67M</p>	<p>Recommendable replacement Model V680S-D2KF67 and V680S-D2KF67M</p>
 <p>Two, 3.5-dia. mounting holes</p> <p>40^{+0.1}_{-0.5}</p> <p>16</p> <p>16</p> <p>16</p> <p>16</p> <p>40^{+0.1}_{-0.5}</p> <p>13.2</p> <p>5.2</p> <p>8</p> <p>0.2</p> <p>8</p> <p>5.2</p> <p>8</p> <p>13.2</p> <p>Mounting reference surface</p> <p>2</p> <p>4.5</p> <p>(unit: mm)</p>	 <p>2-φ3.5 (取付穴) 2-Dia. 3.5 (MOUNTING HOLES)</p> <p>5</p> <p>2</p> <p>32±0.2</p> <p>40</p> <p>40</p> <p>32±0.2</p> <p>40</p> <p>(unit: mm)</p>

[Characteristics]

Item	Product discontinuation Model V680-D2KF67 and V680-D2KF67M	Recommendable replacement Model V680S-D2KF67 and V680S-D2KF67M
Memory capacity	2,000 bytes (user area)	2,000 bytes (user area)
Memory type	FRAM	FRAM
Data retention time	10 years after writing (55°C max.)	10 years after writing (85°C max.)
Write endurance	Access frequency per block: 10 billion times	Access frequency per block: 10 billion times
Ambient operating temperature	-25 to 85°C (with no icing)	-20 to 85°C (with no icing)
Ambient storage temperature	-40 to 85°C (with no icing)	-40 to 125°C (with no icing)
Ambient operating humidity	35 to 85%	35 to 85%
Degree of protection	IP67 (IEC60529) Oil resistance equivalent to IP67G (JIS C 0920:2003, Appendix 1) *	IP68 (IEC60529) / IPx9k (DIN 40 050) Oil resistance equivalent to IP67G (JIS C 0920:2003, Appendix 1) *
Vibration resistance	10 to 2,000 Hz, 1.5-mm double amplitude at 150 m/s ² acceleration with 10 sweeps in X, Y, and Z directions for 15 minutes each	10 to 2,000 Hz, 1.5-mm double amplitude at 150 m/s ² acceleration with 10 sweeps in X, Y, and Z directions for 15 minutes each
Shock resistance	500 m/s ² in X, Y, and Z directions 3 times each (18 times in total)	500 m/s ² in X, Y, and Z directions 3 times each (18 times in total)
Appearance	40 × 40 × 4.5 mm	40 × 40 × 5 mm
Materials	Case: PPS resin Filling: Epoxy resin	PPS resin
Metallic compatibility	V680-D2KF67 No V680-D2KF67M Yes	V680S-D2KF67 No V680S-D2KF67M Yes

Country of origin of recommended replacements will be Thailand or Japan.

* Oil resistance has been tested using a specific oil as defined in the OMRON test method.

